



## MULTISAN-PRO

Fully automatic sewage and waste water pump

For **Secondary Applications Only** (alternative facilities must be available for user of this unit)

### APPLICATION

Multisan-Pro is suitable for pumping soft sewage & waste water only from toilet, shower, hand basin, sink, domestic washing m/c & domestic dishwasher etc. which are below the sewer level, and which are in same area & level as pump location. To ensure this pump is suitable for your application, please check with Wallace pumps before going ahead.

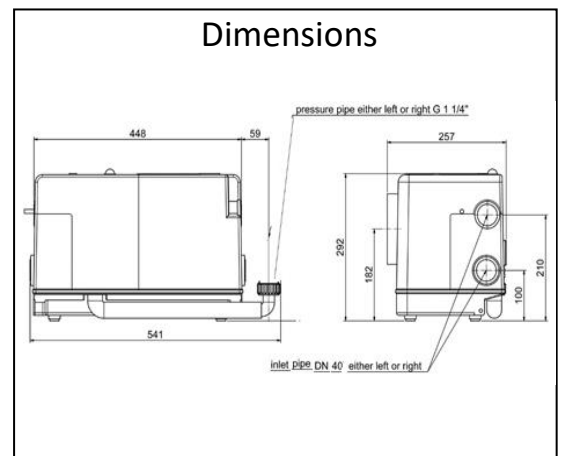
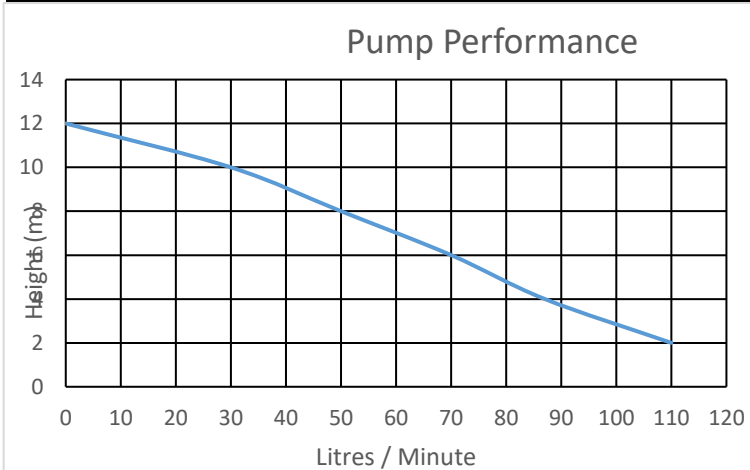


### DESIGN FEATURES

- Completely self-contained
- Quiet, powerful and fully automatic
- Dry mounted motor and pump
- Easily installed and serviced
- Designed and built in Germany for New Zealand conditions
- 2 year warranty
- High head and flow
- Can be remotely installed (max 900mm from appliance)
- **Built-In Audible alarm & signal from volts free contacts, in-case of fault, at NO Extra Cost**
- Solenoid valves **Option** to isolate water supply to plumbing fixtures draining in the pump
- Carbon filter for internal venting (**supplied**) (**Check with your local Authority for compliance**)

### TECHNICAL DATA

Motor Power (kW) (P1)	0.6	Total Tank Volume	11 litres
Temp Continuous / Max	40/60°C	Delivery connection	32mm BSPf
Voltage 50Hz (V)	230	IP Rating	IP54
Cable (m)	1.5	32mm swing check	Supplied
Nominal Current (A)	2.5	32mm Isolating valve	Supplied
Weight (kg)	11	Overall dimensions	448(L) x 292(H) x 257(W)



**NOTE:** The above Performance graph is measured at pump outlet and based on factory test conditions. Actual performance onsite may differ due to piping and fixture sizing and layout

FOR FURTHER TECHNICAL SUPPORT PLEASE CONTACT WALLACE PUMPS AKLD 09 622 9100 OR VISIT [www.dlmwallace.co.nz](http://www.dlmwallace.co.nz)